

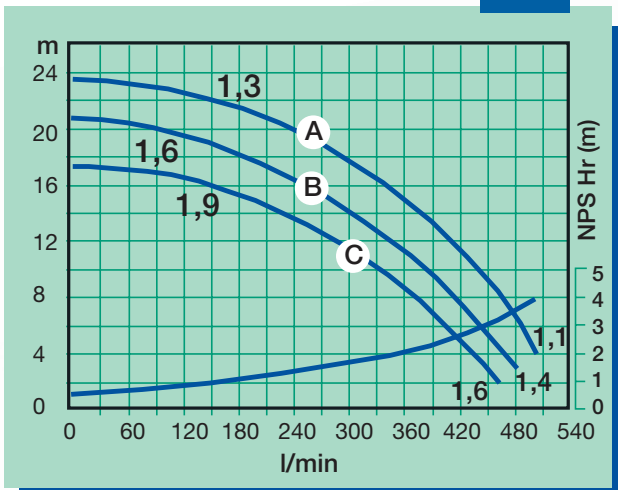


# MPP 500 - MPP 501

## M A G N E T I C D R I V E P U M P S

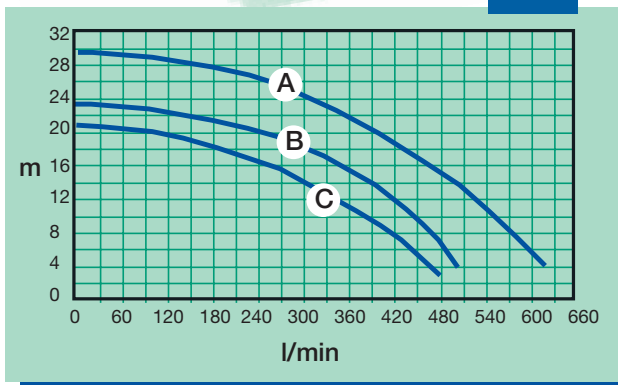
MPP 500

50Hz



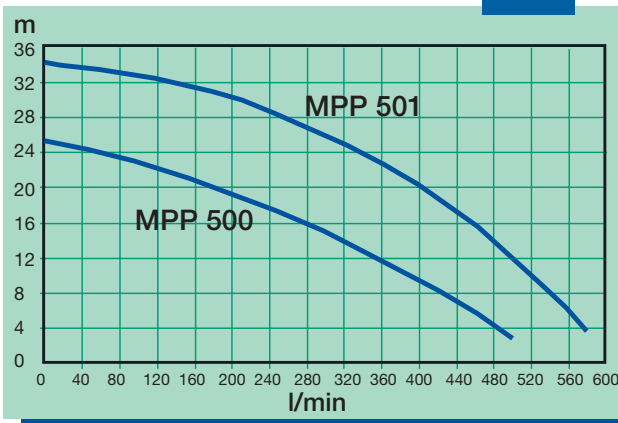
MPP 501

50Hz



MPP 500 - MPP 501

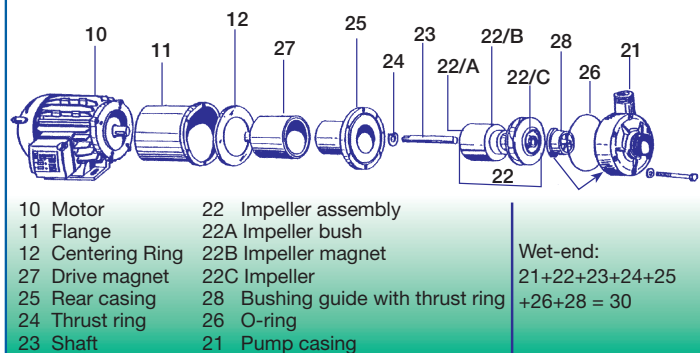
60Hz



### DIRECTIVES:

- The pump should never run dry.
- Dirty liquids and crystals reduce the life of the bearings.
- The ambient temperature should be between 0 and 40 °C.
- Flame proof motors should be used in explosive atmospheres.
- The liquid should not crystallize in the pump.
- The maximum temperature of the pumped liquid should be: 70 °C (for PP) 95 °C (for PVDF)
- The pump is normal priming.

### EXPLODED VIEW MAGNETIC DRIVE PUMP



Curve references:  
water at ambient temperature