

## ADVANTAGES

- Temporary dry-run capability
- Energy saving

## FEATURES

- Seal less magnetic drive coupling
- Tmax exercise: PP 80°C - PVDF 98°C
- Connections:
  - socket union for rigid piping connection with PP, PVC, PVDF union ends choice
  - hose barb for hose connetctions
  - flanged

## APPLICATION FIELDS

- Acid and alkaline soutions with minimal solid suspended particles
- Electroplating industry
- Chemical industry
- PCB industry

## SPECIFICATIONS

	Flow Rate max (l/min.)	Head max (m)	Motor (kw)	IN/OUT D (mm)	T max (°C)	Weight* (kg)
50 Hz	57	8	0,12	25 x 25	PP: 80	PP: 3,6
60 Hz	58	9	0,12	25 x 25	PVDF: 98	PVDF: 4,0

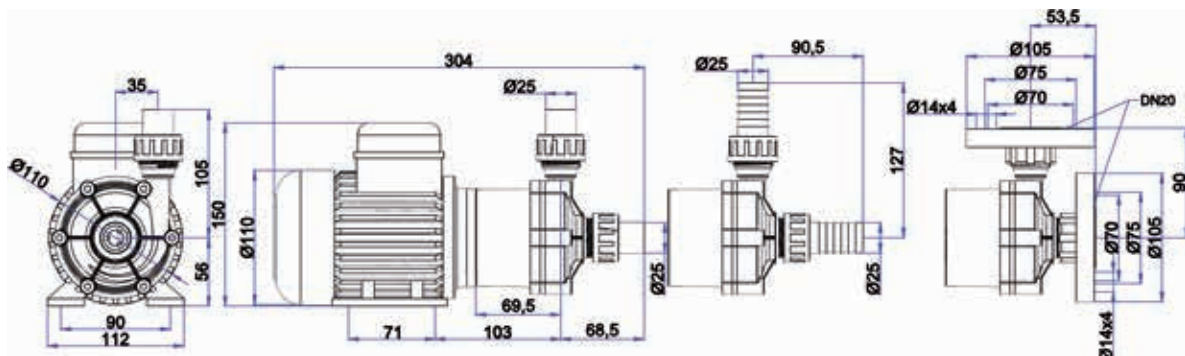
\* It depends on the motor



Connection type B

Connection type P

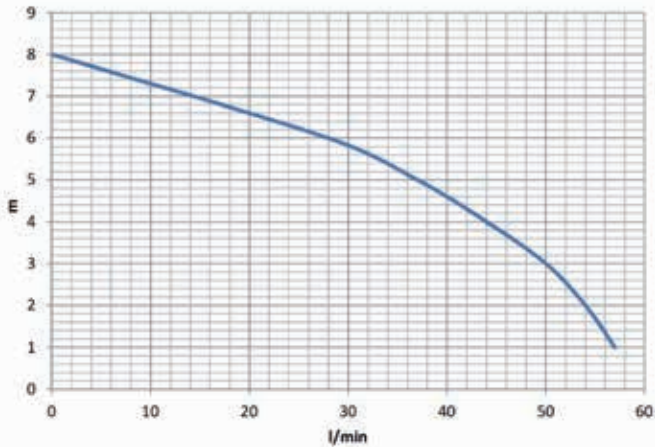
Connection type F



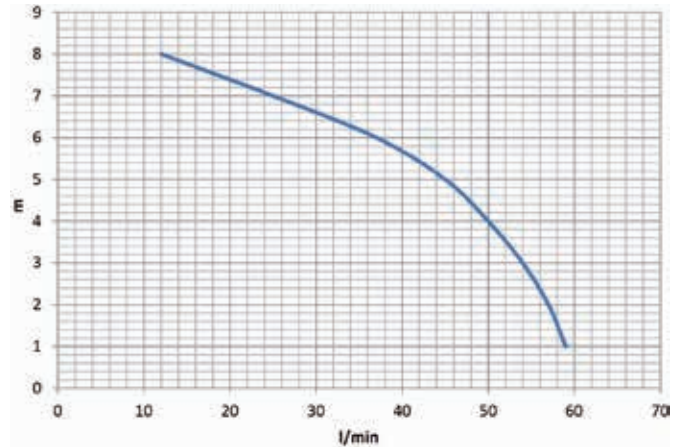
## PUMP IDENTIFICATION

Model	Pump Body Mat.	Impeller Mat.	Shaft Mat.	Impeller Bush Mat.	O-Ring	Connection Type	Motor
EVT 4	P = PP F = PVDF E = ECTFE	P = PP F = PVDF E = ECTFE	C = Ceramica S = SIC	T = PTFE G = Grafite	E = EPDM V = Viton	B = Socket Union F = Flanged P = Hose barb	A = 50 Hz Rpm 2800 B = 60 Hz Rpm 3450
<b>EVT 4</b>	<b>P</b>	<b>P</b>	<b>C</b>	<b>G</b>	<b>E</b>	<b>B</b>	<b>A</b>

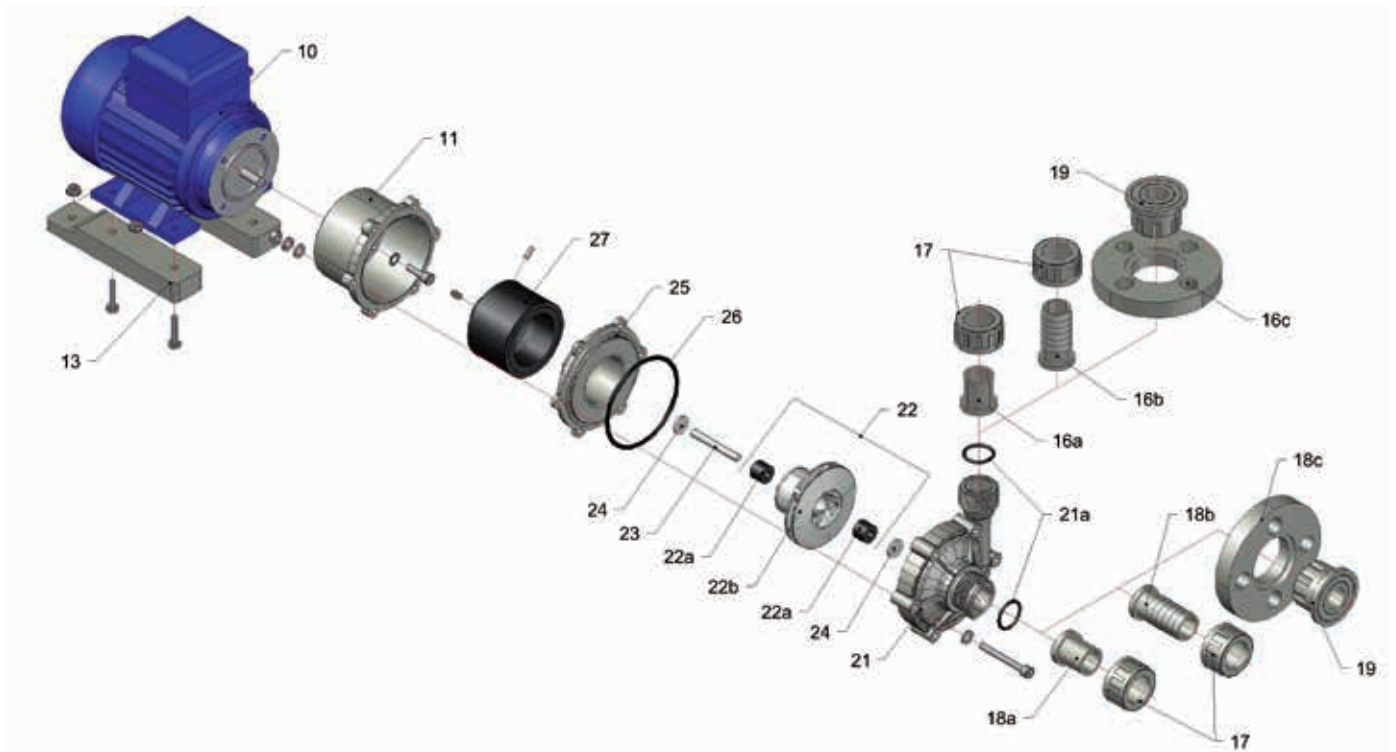
Performance Curve 50 Hz - Rpm: 2800



Performance Curve 60 Hz - Rpm: 3450



Curves referr to water T = 20°C



- |                         |                       |                                |                       |
|-------------------------|-----------------------|--------------------------------|-----------------------|
| 10 Motor                | 17 Discharge Nut      | 21a IN/OUT pump housing ORings | 25 Rear casing        |
| 11 Bracket              | 18a Suction union end | 22 Impeller assembly           | 26 Pump housing ORing |
| 13 Plastic Pump feet    | 18b Suction hosebarb  | 22a impeller bushes            | 27 Drive magnet       |
| 16a Discharge union end | 18c Suction flange    | 22b Impeller magnet            |                       |
| 16b Discharge hosebarb  | 19 Flange Adpater     | 23 Shaft                       |                       |
| 16c Discharge flange    | 21 Pump housing       | 24 Thrust Ring couple          |                       |

LAFONTE.EU srl may modify data any time, without notice, in order to get product enhancement