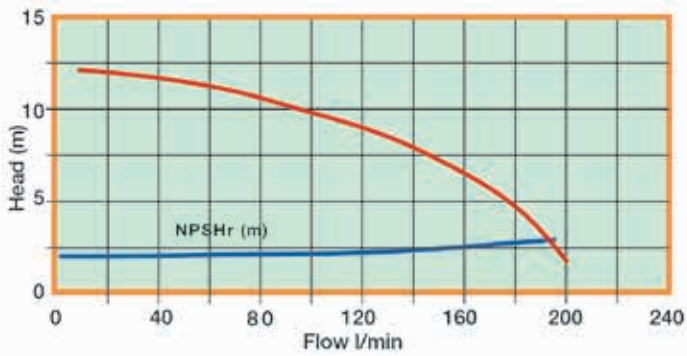
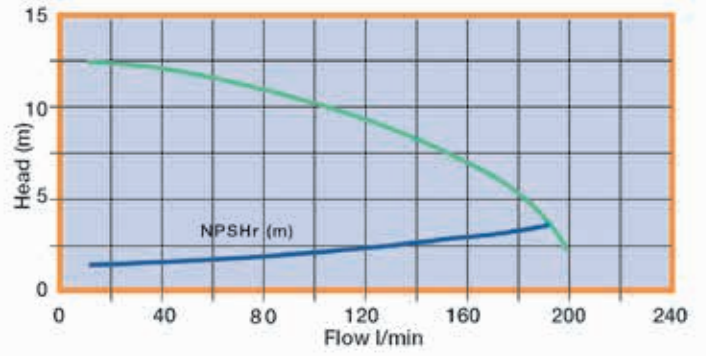


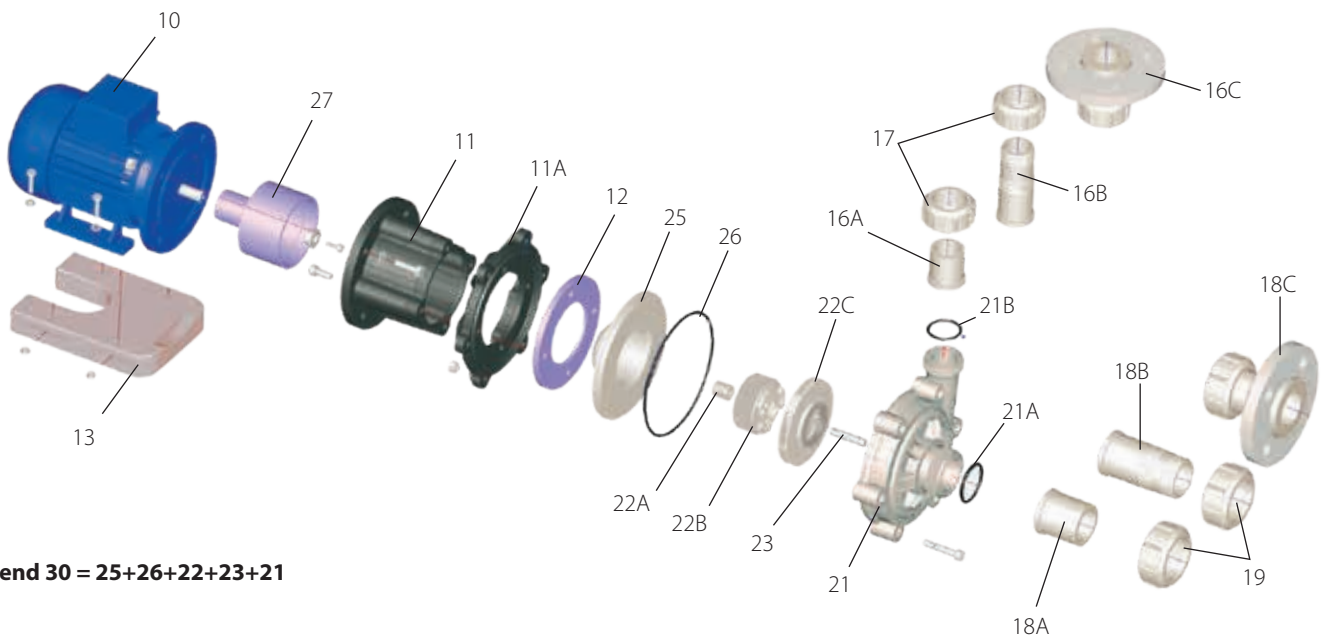
Performance Curve 50 Hz - Rpm 2800



Performance Curve 60 Hz - Rpm 3400



Curves refer to water T = 20°C



Wet-end 30 = 25+26+22+23+21

- | | | |
|----------------------------|--------------------------|------------------------|
| 10 Motor | 17 Discharge nut | 22 Impeller assembly |
| 11 Bracket | 18A Rigid piping suction | 22A Impeller bearing |
| 11A Flange Bracket | 18B Suction hose barb | 22B Impeller magnet |
| 12 Centering ring | 18C Suction flange | 22C impeller |
| 13 Base plate | 19 Suction nut | 23 Shaft |
| 16A Rigid piping discharge | 21 Pump housing | 25 Rear casing |
| 16B Discharge hose barb | 21A Suction O-Ring | 26 Pump housing O-Ring |
| 16C Discharge flange | 21B Discharge O-Ring | 27 Drive magnet |

LAFONTE.EU may modify data any time, without notice, in order to get product enhancement